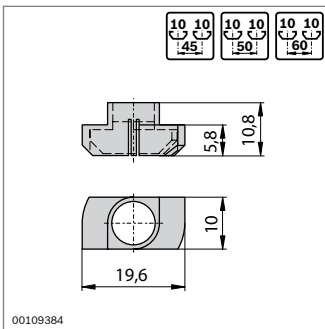


19613

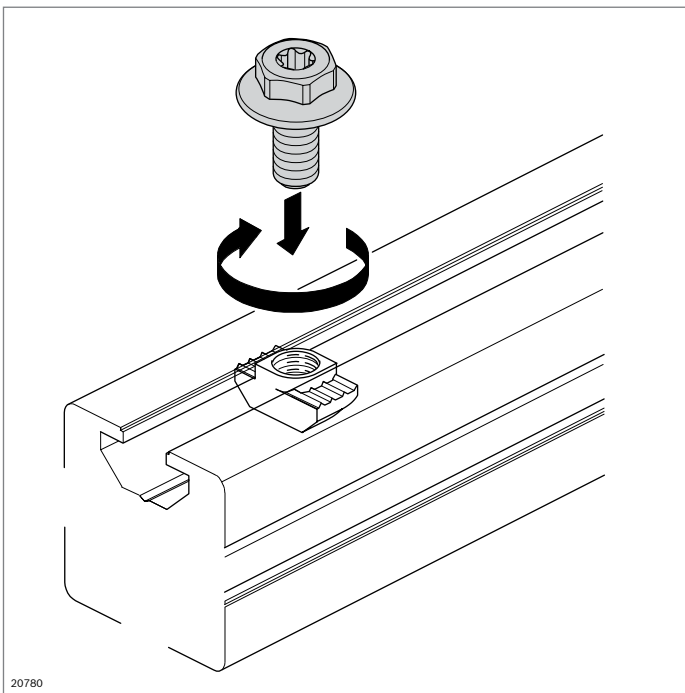
- ▶ Insulating cap for decoupling directly grounded components; for use with T-nuts for 8 mm slots in a 10 mm slot



00109384

Insulating cap for T-nut, 8 mm slot	Slot	No.
	10	10 3 842 524 012

Material: high-strength PA, black



20780

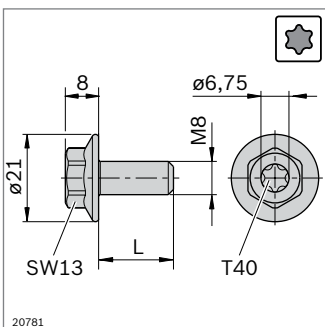
Collar screw



- ▶ Collar screw with multi-functional head so that tightening with a ring / open-end wrench (WS 13) or Torx screwdriver (T40) is possible
- ▶ Machine tightening possible
- ▶ Preferably to be used for fastening brackets
- ▶ Quick and simple assembly
- ▶ Excellent force transmission via the wide flange
- ▶ ESD-capable
- ▶ With Polyfleck to secure the T-nut

Tools:
Offset screwdriver (p. 14-6)

Accessories:
T-nut (p. 3-4)



20781

Collar screw	M	L (mm)	ESD	No.
M8x18-SW13-T40¹⁾	M8	18	100	3 842 541 246
M8x20-SW13-T40²⁾	M8	20	100	3 842 541 409

- ¹⁾ For 40/40 and 60/60 brackets
- ²⁾ For all other brackets for 10 mm slot

Material: steel; galvanized